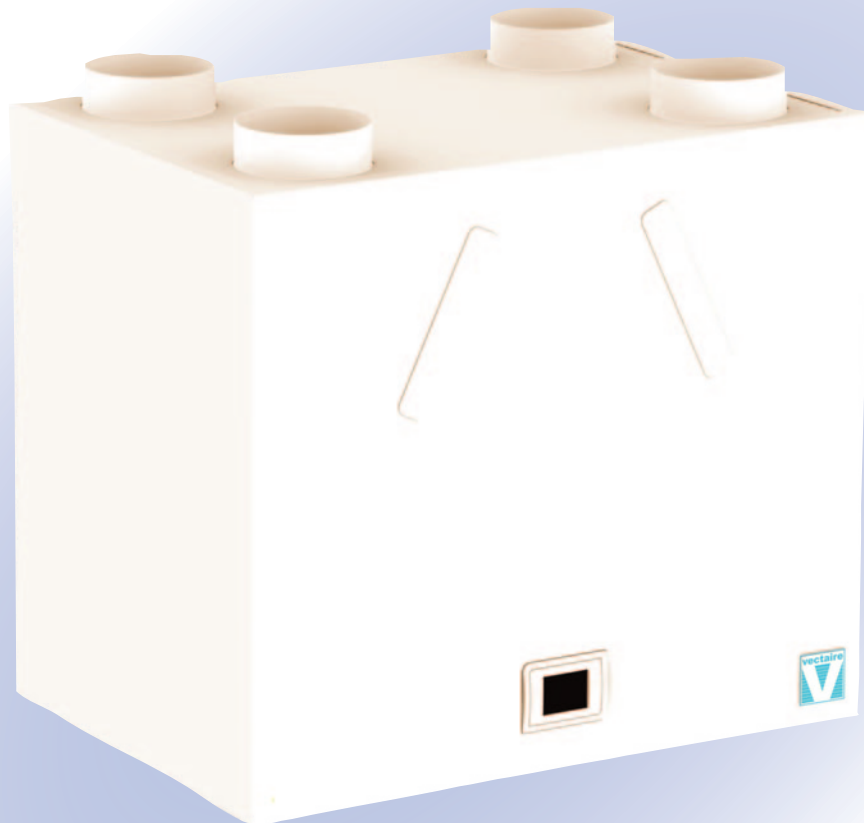




Maxi Plus BY



NEW



Maxi Plus BY

- with summer bypass and frost-stat
- efficient, low energy solution to controlling condensation and pollution in residential properties up to 400m²
- up to 89% heat exchange efficiency
- variable choice of low (trickle), boost and purge speed at installation
- for wall, cupboard or loft installation
- universal handing for models without humidistat
- very quiet
- low running costs
- complies with Building Regulations
- manufactured in UK to ISO 9001:2015 and 14001:2015
- accurate commissioning via optional integral LCD or remote LCD commissioning unit



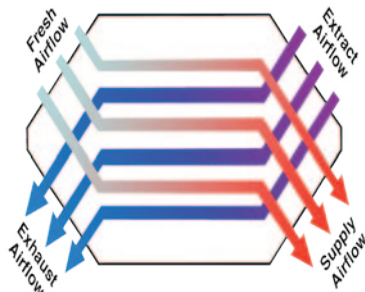
Maxi Plus BY

GENERAL FEATURES

- up to 230 litre/sec at 50Pa - max 238 litre/sec capacity
- sfp down to 0.46 W/l/s
- summer bypass which allows the airflow to bypass the heat exchanger automatically when internal and external temperatures are between adjustable setpoints.
- frost-stat - proportionally reduces intake motor speed as temperature falls - activated when the outside temperature between +8°C and -3°C.
- run-time and power outage counters
- easy to install and maintain
- easy to access G3 filters
- universal handing for models without humidistat - left or right (see separate diagram on page 6 for handing on humidistat models)
- for fitting vertically into lofts, or cupboards - wall fixing bracket supplied
- variable low (trickle), boost and purge options for each motor
- boost speed can be activated by a 230V switched live from:
 - A light switch (if more than one light switch is used, each one must be a double pole switch)
 - Remote humidistat (230V - DRH240)
 - Passive infra red (230V - PIRFF)
 - Thermostat (230V - THM)
 - Remote switch/pull cord - 230V
- low running costs
- 5 year warranty - 1 year parts and labour, 4 years parts only

TECHNICAL FEATURES

- casing from steel sheet - epoxy paint finish
- foam construction lining
- EPS internal components provide acoustic and thermal enhancement
- low energy EC brushless motor with single width, single inlet, direct drive, backward curved impellers
- operates in temperature up to 60°C
- easy to access standard, disposable G3 filters
- counter flow heat exchanger



MODELS AVAILABLE:

- Maxi Plus/BY - bypass, universal, integral LCD
- Maxi Plus/BLH - bypass, left drain, humidistat
- Maxi Plus/BRH - bypass, right drain, humidistat
- MaxiPlus BYLCD - bypass, universal, integral LCD
- MaxiPlus BLHLCD - bypass, left drain, humidistat, integral LCD
- MaxiPlus BRHLCD - bypass, right drain, humidistat, integral LCD

CONTROL FEATURES - STANDARD

- independent variable speed adjustment for each motor for trickle, boost and purge speeds.
- adjustable boost speed over-run timer from 0 to 90 minutes.
- adjustable boost speed delay from 0 to 5 minutes
- remote purge cable connection on circuit board (for optional purge facility)
- adjustable night time boost and purge inhibitor
- integral frost-stat - proportionally reduces intake motor speed as temperature falls
- automatic summer bypass

CONTROL FEATURES - FACTORY SET

- change of ductwork handing on humidistat version (humidity threshold can be set at manufacture)
- integral humidistat - proportionally increases motor speeds with rising humidity
- 0-10V connections can be added for:
 - BMS - for remote motor shut-off
 - CO₂ detector
 - home automation system
- relay for external pre-heater
- 3 speed selector switch
- optional remote purge cable - factory connected - adjustable over-run timer from 0 to 250 minutes, Pre-set to 15 minutes (adjustable at factory)
- holiday mode for reduced speeds when property is unoccupied (factory set option) - default setting is 50% of trickle speed
- run-time and power outage counters downloadable via QR code.

COMPLIES WITH

- Building Regulations for enhanced energy saving capability
- Building Regulations for reliable, efficient ventilation
- EU RoHS Directive Compliant.
- Complies with IEC60335-2-80, LVD2006/95/CE and EMC2014/30/UE (European Directive against radio interference and electro-magnetic compatibility)
- manufactured in UK to ISO 9001:2015 and 14001:2015
- CE marked
- SAP PCDB Listed

TYPICAL SPECIFICATION AVAILABLE AT

<http://www.vectaire.co.uk/downloads>

Vectaire Ltd can supply all accessories for use with these units, including product filters, air filter cassettes, silencers, fire dampers, air valves, ducting, outside grilles and wall cowls. Additionally, Vectaire offers a design service to ensure that the unit installed is the best possible to provide efficient, effective, low energy and low running cost ventilation. Vectaire can also organise installation, commissioning and maintenance of these products



Maxi Plus BY

| TECHNICAL CHARACTERISTICS | | | | | | | | | | | |
|---------------------------|---------------|-----|-----|-----|-----|---------------------|-----|-----|-----|-----|--------------------------|
| Model | Airflow l/sec | | | | | Total Power - Watts | | | | | Operating Current (Amps) |
| | 100% | 80% | 60% | 40% | 20% | 100% | 80% | 60% | 40% | 20% | |
| Maxi Plus BY | 238 | 186 | 135 | 84 | 35 | 355 | 184 | 85 | 32 | 8 | 2.81 |

| Maxi Plus BY | | Sound Power Levels, L_w [dB] - Octave Bands Frequency Hz. | | | | | | | | Sound Pressure dBA @ 3m |
|---------------------|----------|---|-----|-----|-----|----|----|----|----|-------------------------|
| Curve Ref | | 63 | 125 | 250 | 500 | 1k | 2k | 4k | 8k | |
| 100% (238 l/sec) | Extract | 67 | 63 | 66 | 64 | 64 | 61 | 58 | 54 | 43.1 |
| | Supply | 72 | 68 | 71 | 69 | 69 | 66 | 63 | 59 | |
| | Breakout | 67 | 65 | 64 | 57 | 51 | 53 | 49 | 32 | |
| 80% (186 l/sec) | Extract | 63 | 58 | 61 | 59 | 58 | 55 | 51 | 46 | 37.4 |
| | Supply | 68 | 63 | 66 | 64 | 63 | 60 | 56 | 51 | |
| | Breakout | 62 | 59 | 60 | 52 | 45 | 44 | 39 | 28 | |
| 60% (135 l/sec) | Extract | 58 | 52 | 53 | 51 | 51 | 48 | 43 | 35 | 32.8 |
| | Supply | 63 | 57 | 58 | 56 | 56 | 53 | 48 | 40 | |
| | Breakout | 58 | 54 | 57 | 45 | 39 | 37 | 31 | 25 | |
| 40% (84 l/sec) | Extract | 51 | 44 | 44 | 42 | 42 | 37 | 31 | 21 | 26.0 |
| | Supply | 56 | 49 | 49 | 47 | 47 | 42 | 36 | 26 | |
| | Breakout | 52 | 47 | 48 | 41 | 36 | 31 | 26 | 23 | |
| 20% (35 l/sec) | Extract | 40 | 32 | 30 | 29 | 27 | 24 | 14 | 16 | 20.4 |
| | Supply | 45 | 37 | 35 | 34 | 32 | 29 | 22 | 25 | |
| | Breakout | 44 | 36 | 34 | 33 | 31 | 28 | 20 | 21 | |

The breakout dB(A) sound pressure values are given for hemispherical free field propagation at a distance of 3m from the unit
 Extract and Supply values are in-duct sound power levels
 All the above data has been independently tested to BS EN ISO 3743-1:2010

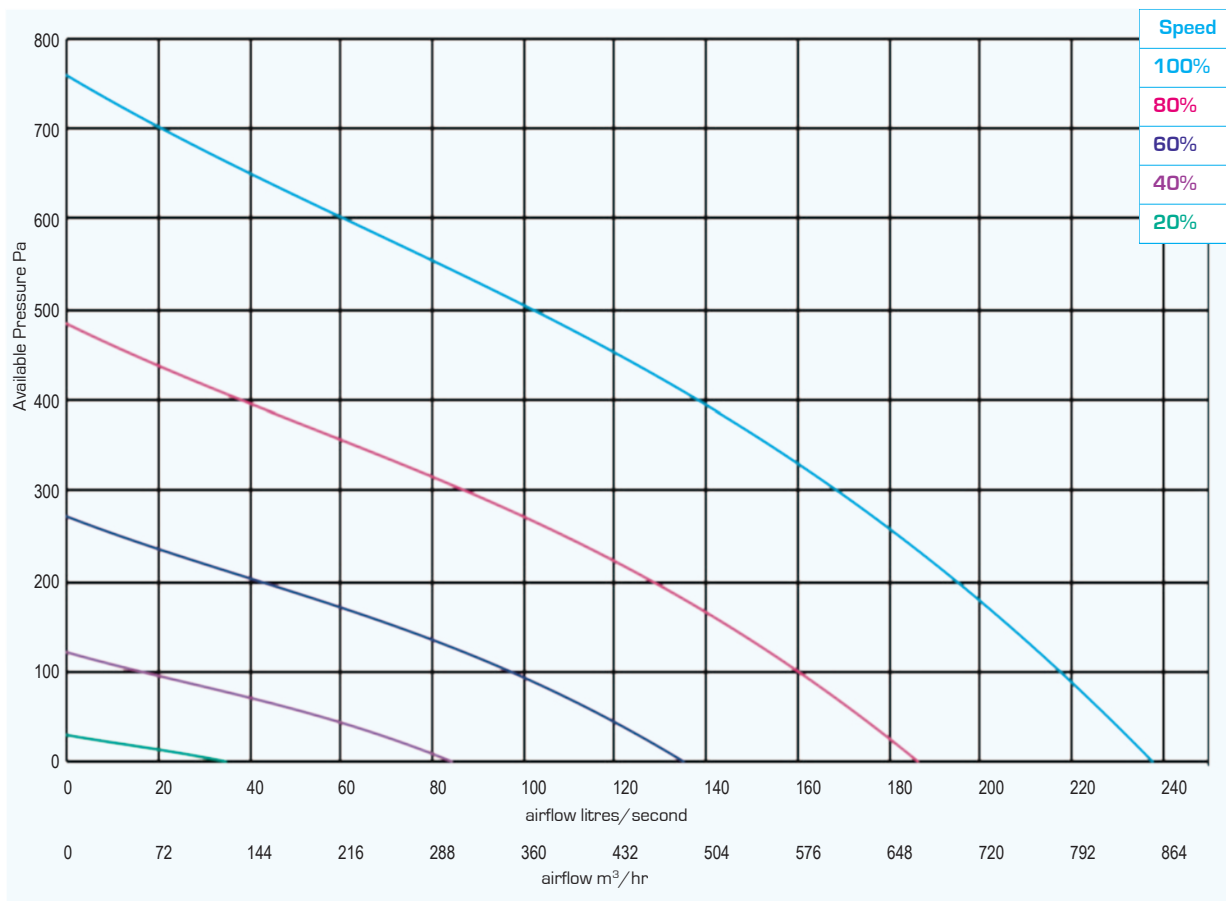
| RESULTS for SAP CALCULATIONS | | | | | | |
|---|------------------------------|--------------------------|------------------------------|--------------------------|------------------------------|--------------------------|
| ENERGY LEVEL PERFORMANCE - using rigid ducting only | | | | | | |
| Exhaust Terminal Configuration | 2009 Data | | 2012 Data | | SAP 10 Data | |
| | Specific Fan Power (W/l/sec) | Heat Exchange Efficiency | Specific Fan Power (W/l/sec) | Heat Exchange Efficiency | Specific Fan Power (W/l/sec) | Heat Exchange Efficiency |
| Kitchen + 1 additional wet room | 0.75 | 89% | 0.56 | 89% | 0.56 | 89% |
| Kitchen + 2 additional wet rooms | 0.56 | 89% | 0.47 | 89% | 0.47 | 89% |
| Kitchen + 3 additional wet rooms | 0.46 | 89% | 0.50 | 88% | 0.50 | 88% |
| Kitchen + 4 additional wet rooms | 0.46 | 88% | 0.56 | 87% | 0.56 | 87% |
| Kitchen + 5 additional wet rooms | 0.49 | 88% | 0.66 | 86% | 0.66 | 86% |
| Kitchen + 6 additional wet rooms | 0.55 | 87% | 0.78 | 85% | 0.78 | 85% |
| Kitchen + 7 additional wet rooms | 0.63 | 86% | 0.94 | 84% | 0.94 | 84% |

Figures at minimum flow rate conditions

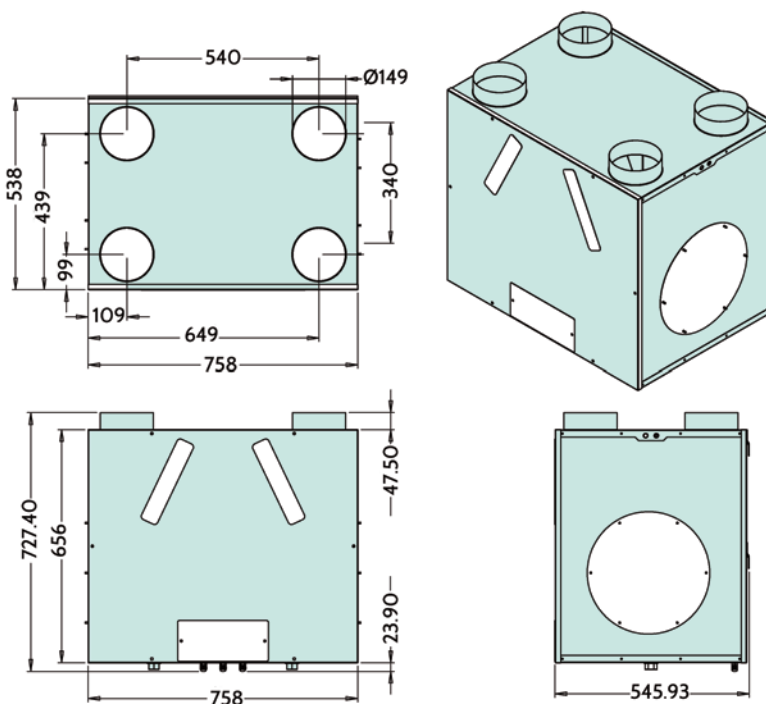


Maxi Plus BY

PERFORMANCE (curves are for guidance only)



DIMENSIONS - mm



Weight - 37kg

N.B a clearance of 200 mm should be allowed on each side of the cabinet for access to the motors